



QTD2 MEDIUM RANGE RIFLE SYSTEM

MEDIUM RANGE ANTI-PERSONNEL SNIPER CAPABILITY

The APRS QTD2 provides the accuracy expected of a custom bolt action rifle but with the unprecedented versatility of a unique take-down system.

With this technology the weapon can break down in to small easily concealable groups and return to zero with the use of one tool. It also provides the versatility of multiple barrel and calibre configurations in the one platform.

Equipped with the latest MIL-SPEC ATACR F1 7-35x56mm scope from Nightforce, the users will have the unfair advantage we always strive for.

RIFLE PACKAGE DETAILS

RIFLE

- APRS QTD2 Compact Sniper Rifle

SUPPRESSOR

- APRS QTD2 Suppressor

SCOPE, MOUNT &

ACCESSORIES

- Nightforce P-VPS MILSPEC ATACR 7-35x56mm F1 with T3 Reticle - Dark Earth Anodized
- Nightforce MA615 Ultramount 1.54" 0 MOA 34mm - Wide Clamp - RAP-i LRF - Dark Earth Anodized (includes MultiMount)
- Nightforce 100 MOA Wedge Prism (option)

BIPOD

- B&T Industries V8 Atlas Bipod

HARD CASE FINDER

- Laser Cut Foam



FORCE ORDNANCE

Supplied to military, government and law enforcement by Force Ordnance, a division of Lightforce Group.
11 Manton Street, Hindmarsh, South Australia.
Telephone 08 8440 0888. Email info@forceordnance.com
forceordnance.com



QTD2 MEDIUM RANGE RIFLE SYSTEM

A NEW MEDIUM RANGE RIFLE FEATURING OUR PATENT PENDING QUICK TAKE-DOWN SYSTEM THE APRS QTD2

Medium Range Rifle is an Australian designed and manufactured precision firearm with our unique, patent pending Quick Take-down System.

This system enables the user to remove or replace the barrel in seconds without compromising accuracy or precision.

Every component of the APRS QTD2 Medium Range Rifle has been engineered to achieve maximum ballistic performance, accuracy, and repeatability.



FORCE ORDNANCE

Supplied to military, government and law enforcement by Force Ordnance, a division of Lightforce Group.
11 Manton Street, Hindmarsh, South Australia.
Telephone 08 8440 0888. Email info@forceordnance.com
forceordnance.com



QTD2 MEDIUM RANGE RIFLE SYSTEM

The QTD2 has been designed in collaboration with experienced ADF snipers and civilian precision shooting champions.

Every rifle is paired with leading industry accessories including Nightforce optics to ensure ruggedness and reliability across the entire weapon system.



FORCE ORDNANCE

Supplied to military, government and law enforcement by Force Ordnance, a division of Lightforce Group.
11 Manton Street, Hindmarsh, South Australia.
Telephone 08 8440 0888. Email info@forceordnance.com
forceordnance.com



QTD2 MEDIUM RANGE RIFLE SYSTEM

RIFLE TECHNICAL SPECIFICATIONS

CALIBRES

- 7.62 x 51 NATO (standard)
- .308 Win
- 6.5cm
- 260 REM

ACTION

- APRS bolt action repeater
- 3 lug fluted bolt, 60 degree throw
- 2 position safety
- Right handed (standard)

TRIGGER

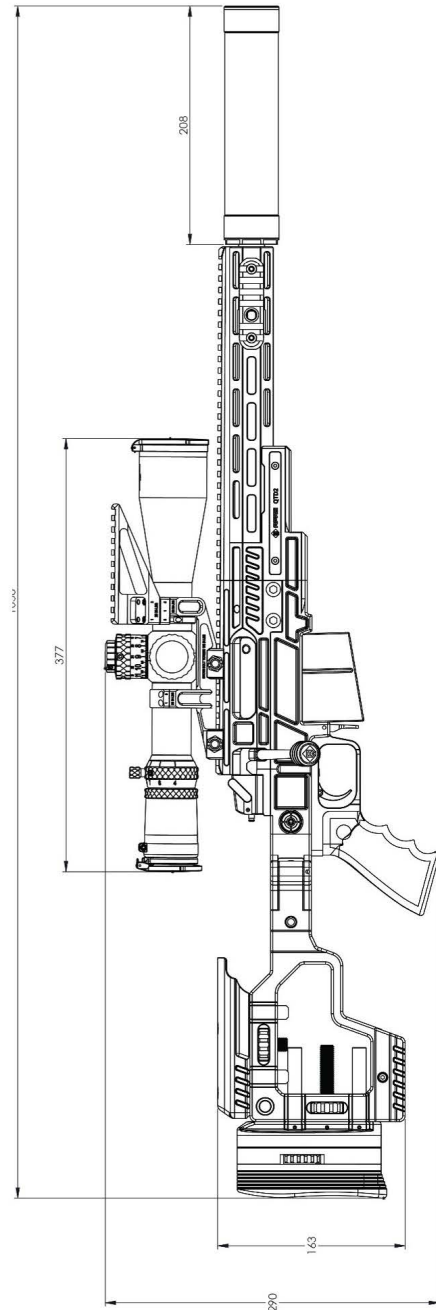
- 2 stage match-grade trigger (standard)
- Fully adjustable for pull weight (1lb to 4lb) and trigger position

BARREL OPTIONS

- • Length: 14" to 24"
- • Rifling 1:8 Std (custom available)
- • Fluted or non-fluted
- • Threaded for muzzle brake and suppressor
- • 416 stainless steel. Match-grade
- • Carbon wrapped. Match-grade

STANDARD .338LM BARREL

- • 14"
- • 416 stainless steel. Match-grade
- • 1.24" straight taper to 0.95" at muzzle
- • 6 groove, button pulled, 1:8
- • Threaded for muzzle brake/ suppressor
- • Thread cap





QTD2 MEDIUM RANGE RIFLE SYSTEM

RIFLE TECHNICAL SPECIFICATION (CONTINUED)

CHASSIS

- 7075 T6 aluminium
- Durable Cerakote finish (multiple colours)
- Full Length, single-plane 20 MOA top rail
- Picatinny and ARCA rails as standard
- MLOK and KeyMod available
- Forend is removed with barrel
- Lightweight folding stock (over bolt)
- Adjustable cheek piece and length of pull
- Oversized trigger guard
- Flush cup sling attachments
- Ergo pistol grip (accepts all M4 style)
- Optional bipod available (as shown)
- Optional front and rear backup sights

MAGAZINE

- AI Aw Double stack staggered feed, 10 round
- Accepts all AI pattern magazines

SUPPRESSOR

- Multi-calibre
- Expansion chamber and baffles
- Over barrel, direct thread, self-centring via 2 points of contact on barrel
- Weight: 939gr
- Length: 20.8cm
- Material: 4130 chrome moly/ 416 SS

WEIGHT

- 5.7kg
- Without scope, suppressor, bipod

DIMENSIONS

- Full length: 89cm
- Folded: 640cm
- Folded, barrel removed: 32cm
- Barrel with forend: 40cm

STORAGE

- Soft bag
- Lockable hard transport case





QTD1 LONG RANGE RIFLE SYSTEM



CONTACT DETAILS

Paul Mason
Business Development Manager
Telephone +61 (0) 8 8440 0888
paul.mason@forceordnance.com
11 Manton St, Hindmarsh, South Australia



LIGHTFORCEGROUP.COM.AU

FORCE ORDNANCE

Supplied to military, government and law enforcement by Force Ordnance, a division of Lightforce Group.
11 Manton Street, Hindmarsh, South Australia.
Telephone 08 8440 0888. Email info@forceordnance.com
forceordnance.com