

NIGHTFORCE®

MIL - SPEC SCOPES & ACCESSORIES

**SUPERIOUS OPTICAL
DESIGN. RUGGED.
RELIABLE. REPEATABLE.**

Nightforce Optics are designed for military, law enforcement, and other tactical professionals, and for those who simply want to shoot like a professional.

Nightforce riflescopes are a combination of the finest materials, engineering expertise, mechanical reliability and world class optical performance.

Simply put, there is no expense spared, no detail overlooked in building a Nightforce Optic.

Nightforce Mil-Spec riflescopes have a 10-year warranty and are built to exceed US MIL-STD 810 F&G for shock, pressure and submersion.

MIL-SPEC SCOPE RANGE

MIL-SPEC ATACR

- Nightforce MIL-SPEC ATACR - 1-8x24mm F1™
- Nightforce Mil-Spec ATACR 4-16x42 ZeroHold
- Nightforce Mil-Spec ATACR 5-25x56 ZeroStop
- Nightforce Mil-Spec ATACR 7-35x56 ZeroStop

MIL-SPEC NX8

- Nightforce MIL-SPEC NX8 - 1-8x24mm F1™
- Nightforce MIL-SPEC NX8 - 2.5-20x50mm F1™
- Nightforce MIL-SPEC NX8 - 4-32x50mm F1™

MIL-SPEC ACCESSORIES

- Nightforce Mil-Spec UltraMount 30/34mm
- Nightforce Mil-Spec UltraMount with RAP-i LRF Mount
- Nightforce Mil-Spec Torque Tool Field Kit

OTHER ACCESSORIES

- Nightforce Wedge Prism



FORCE ORDNANCE

Supplied to military, government and law enforcement by Force Ordnance, a division of Lightforce Group.
11 Manton Street, Hindmarsh, South Australia.
Telephone 08 8440 0888. Email info@forceordnance.com
forceordnance.com

NIGHTFORCE®

MIL - SPEC SCOPES & ACCESSORIES

NIGHTFORCE MIL-SPEC ATACR 4-16X42 F1 360 ZEROSTOP



Magnification range	4-16x
Focal plane	First
Body tube diameter	34 mm
Overall length	12.6 in/320 mm
Mounting length	6.3 in/160 mm
Weight	30.0 oz/850 g
Click value	.250 MOA or .1 MRAD
Internal adjustment range	E: 89 MOA/26 MRAD W: 60 MOA/18 MRAD
Parallax adjustment	45 yd-∞
Eye relief	3.5 in/90 mm
Field of view @ 100 yd/m	4x: 26.9 ft/9.0 m 16x: 6.9 ft/2.3 m
Exit pupil	4x: 10.3 mm 16x: 2.7 mm
Illumination	Digillum™
Elevation feature	ZeroHold®
Power Throw Lever	Standard
Reticles available	MOAR™ MIL-C™ MIL-R™ MIL-XT™ H-59™ TREMOR3™



FORCE ORDNANCE

Supplied to military, government and law enforcement by Force Ordnance, a division of Lightforce Group.
11 Manton Street, Hindmarsh, South Australia.
Telephone 08 8440 0888. Email info@forceordnance.com
forceordnance.com

NIGHTFORCE®

MIL - SPEC SCOPES & ACCESSORIES

NIGHTFORCE MIL-SPEC ATACR 5-25X56 F1 360 ZEROSTOP

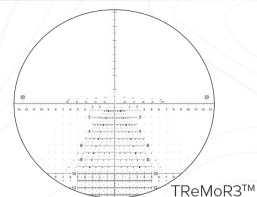
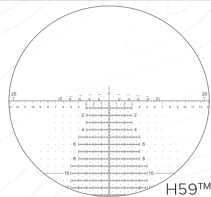


Focal Plane	First
Objective outer diameter	65 mm
Tube diameter	34 mm
Internal adjustment	e: 35 Mil; w: 23 Mil
Click value	.1 Mil-rad
Parallax adjustment	45 yd/41 m - ∞
Exit pupil	5x: 8.3 mm; 25x: 2.3 mm
Eye relief	85 - 90 mm/3.35 - 3.54 in
Field of view @ 100Y	5x: 18.7 ft; 25x: 4.92 ft
Eyepiece outer diameter	46 mm
Overall length	15.4 in/390 mm
Weight	38 oz/1077 g
Mounting length	5.9 in/150 mm
PTL	Standard
Available Reticles	H59™, TReMoR3™
Illumination	DigIllum™
Elevation feature	ZeroHOLD™

There is nothing "standard" about the long list of features...we've included every ounce of technology and convenience with one goal in mind: provide the warfighter absolute accuracy and confidence with every shot.

The ED glass within the MIL-SPEC 5-25 x 56 F1 enables target engagements at distances previously considered "out of range." With its first focal plane reticle placement, range estimation and hold-offs are faster and easier than ever.

All Nightforce MIL-SPEC riflescopes meet or exceed MIL-STD 810G and carry a 10 year warranty. Indexable Tenabraex flip-up lens caps are included (not shown). Custom reticle/configuration options may be available for contract purchases.



FORCE ORDNANCE

Supplied to military, government and law enforcement by Force Ordnance, a division of Lightforce Group.
11 Manton Street, Hindmarsh, South Australia.
Telephone 08 8440 0888. Email info@forceordnance.com
forceordnance.com

NIGHTFORCE®

MIL - SPEC SCOPES & ACCESSORIES

NIGHTFORCE MIL-SPEC ATACR 7-35X56 F1 360 ZEROSTOP

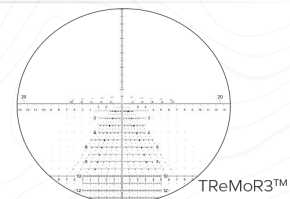
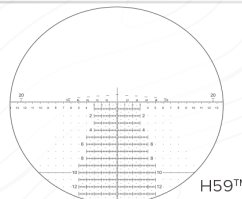


Focal Plane	First
Objective Outer diameter	65 mm
Tube diameter	34 mm
Internal adjustment	e: 27 Mil; w: 16 Mil
Click value	.10 Mil
Parallax adjustment	10m - ∞
Exit pupil	7x: 6.0 mm; 35x: 1.6mm
Eye relief	83 - 91 mm / 3.3 - 3.6 in
Field of view @ 100Y	7x: 15.0 ft; 35x: 3.4 ft
Eye-piece outer diameter	44 mm
Overall length	16.0 in/410 cm
Weight	39.3 oz
Mounting length	6.5 in/165 mm
PTL	Standard
Available Reticles	H59™, TReMoR3™
Illumination	Digillum™
Elevation feature	ZeroHOLD™

As professional shooters continue to push the limits of rifle and cartridge performance, Nightforce® continues to exceed their needs for enhanced riflescope technology with the MIL-SPEC 7-35 x 56 F1.

The broad magnification range and ED glass combine to create the ultimate in optical performance for long range shooting. This riflescope offers an incredible field of view across the entire magnification range, making targets easy to find, identify and engage.

All Nightforce MIL-SPEC riflescopes meet or exceed MIL-STD 810G and carry a 10 year warranty. Indexable Tenabraex flip-up lens caps are included (not shown). Custom reticle/configuration options may be available for contract purchases.



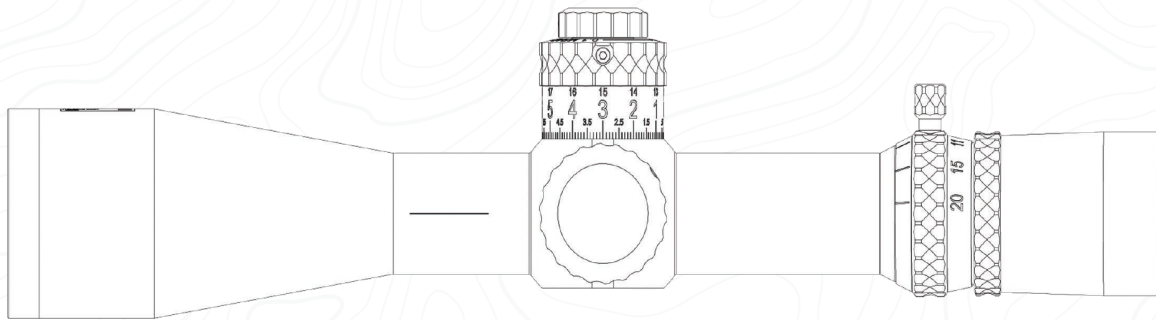
FORCE ORDNANCE

Supplied to military, government and law enforcement by Force Ordnance a division of Digiforce Group.
 11 Mantom Street, Hillside NSW 1505 Australia.
 Telephone: 088 840 0888 Email: info@forceordnance.com
 forceordnance.com

NIGHTFORCE®

MIL - SPEC SCOPES & ACCESSORIES

NIGHTFORCE MIL-SPEC 4-20X50 F1 360 ZEROSTOP



50mm objective lens for maximizing image resolution

360 ZeroStop Elevation adjustment with 360 Brake that can be engaged at any position; ZeroStop allows for rapid and easy return to zero

Large, easy to read engraving with 12 MRAD per revolution

Capped windage adjustment

34mm body tube for superior strength and maximum adjustment range

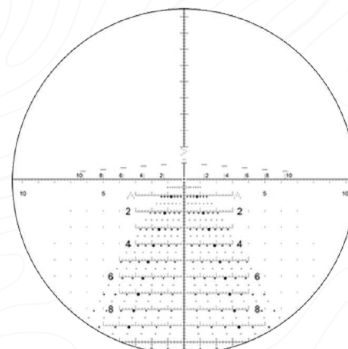
Rotating eye-piece for fast and easy magnification changes with gloves, in low-light or bad weather

Parallax adjustable from 10 meters to infinity

Two-piece locking diopter

SPECIFICATIONS

Focal Plane	First
Objective Outer diameter	59 mm
Tube diameter	34 mm
Internal adjustment	e: 35 MRAD; w: 23 MRAD
Click value	.10 MRAD
Parallax adjustment	10 m - infinity
Exit pupil	4x: 12.1 mm/ 20x: 2.5 mm
Eye relief	3.42 - 3.43 in/ 86.8 - 87.1 mm
Field of view @ 100Y	4x: 23.57 ft/ 20x: 7.85 ft
Eyepiece outer diameter	46 mm
Overall length	13.85 in at min. diopter
Weight	33.6 oz.
Mounting length	4.12 in/105 mm
PTL	Standard
Reticle	Tremor 3
Illumination	Digillum (optional)



TREMOR 3

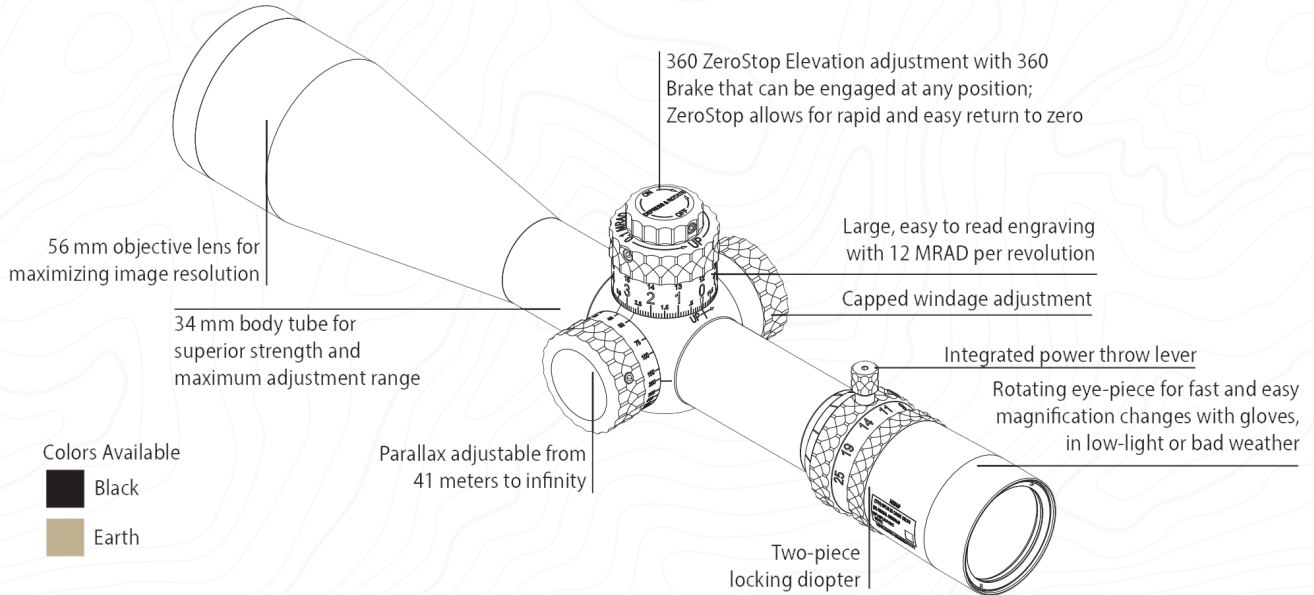
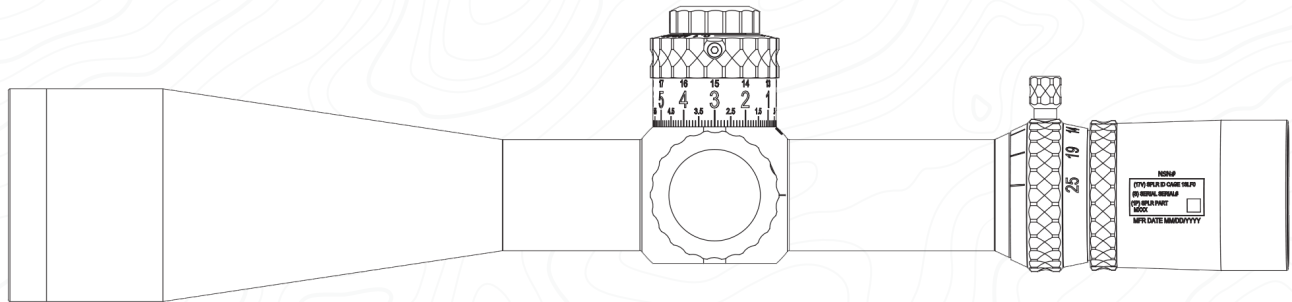
FORCE ORDNANCE

Supplied to military, government and law enforcement by Force Ordnance, a division of Lightforce Group.
11 Manton Street, Hindmarsh, South Australia.
Telephone 08 8440 0888. Email info@forceordnance.com
forceordnance.com

NIGHTFORCE®

MIL - SPEC SCOPES & ACCESSORIES

NIGHTFORCE MIL-SPEC 5-25X56 F1 360 ZEROSTOP



56 mm objective lens for maximizing image resolution

34 mm body tube for superior strength and maximum adjustment range

Colors Available



Black

Earth

Parallax adjustable from 41 meters to infinity

360 ZeroStop Elevation adjustment with 360 Brake that can be engaged at any position; ZeroStop allows for rapid and easy return to zero

Large, easy to read engraving with 12 MRAD per revolution

Capped windage adjustment

Integrated power throw lever

Rotating eye-piece for fast and easy magnification changes with gloves, in low-light or bad weather

Two-piece locking diopter

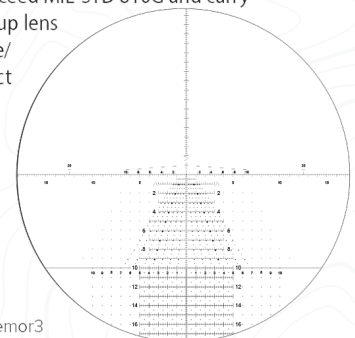
Specifications

Focal Plane	First
Objective Outer diameter	65 mm
Tube diameter	34 mm
Internal adjustment	e: 35 Mil; w: 23 Mil
Click value	.10 Mil
Parallax adjustment	41 m - ∞
Exit pupil	5x: 8.3 mm; 25x: 2.3 mm
Eye relief	85 - 90 mm/3.35 - 3.54 in
Field of view @ 100Y	5x: 18.7 ft; 25x: 4.9 ft
Eyepiece outer diameter	44 mm
Overall length	15.4 in/390 mm
Weight	38 oz
Mounting length	5.9 in/150 mm
PTL	Standard
Reticle	Tremor3
Illumination	Digillum™ (optional)

There is nothing "standard" about the long list of features... we've included every ounce of technology and convenience with one goal in mind: provide the warfighter absolute accuracy and confidence with every shot.

The ED glass within the MIL-SPEC 5-25 x 56 F1 enables target engagements at distances previously considered "out of range." With its first focal plane reticle placement, range estimation and hold-offs are faster and easier than ever.

All Nightforce Mil-Spec riflescopes meet or exceed MIL-STD 810G and carry a 10 year warranty. Indexable Tenabraex flip-up lens caps are included (not shown). Custom reticle/configuration options are available for contract purchases.

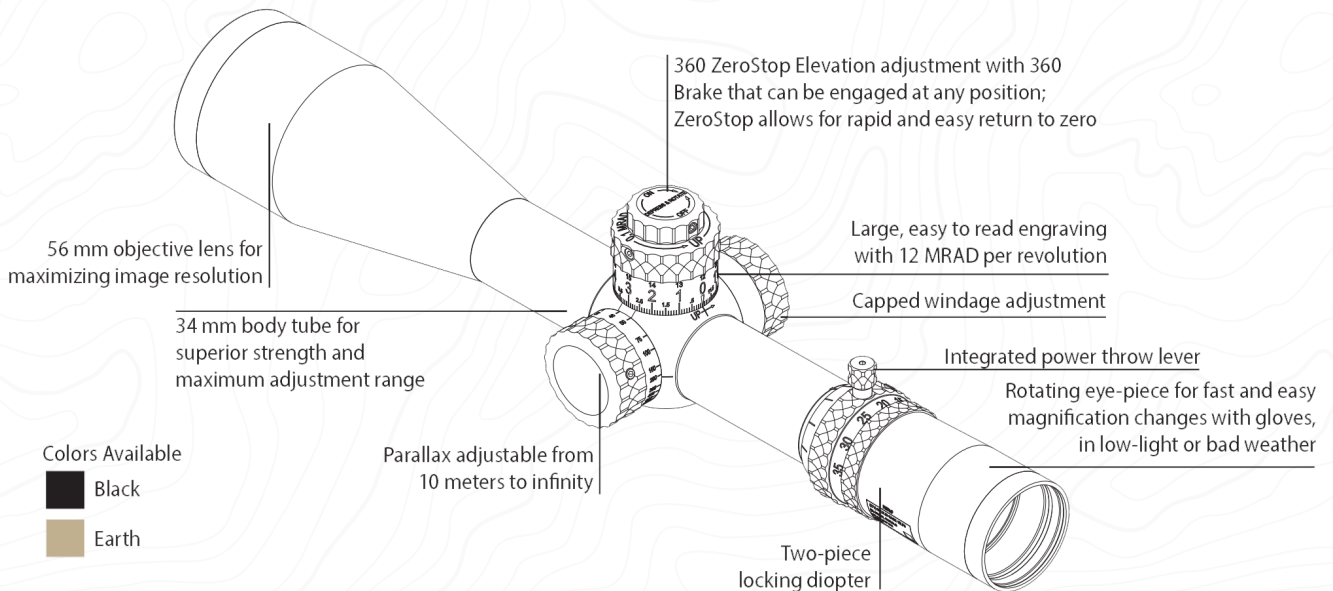
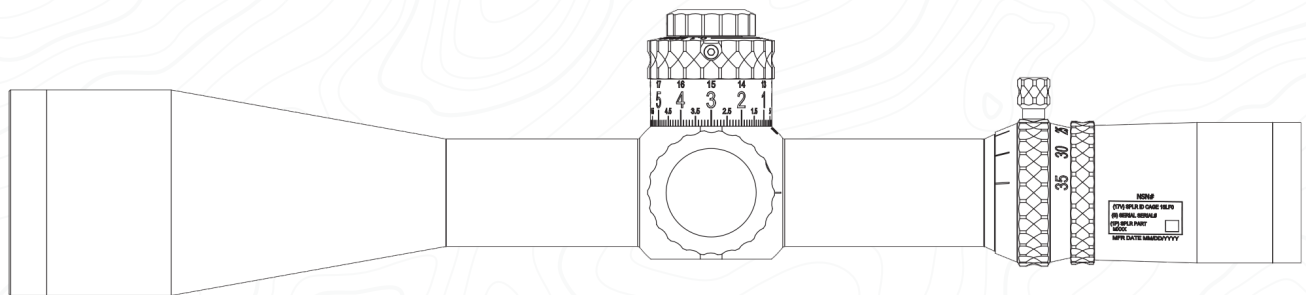


Tremor3

FORCE ORDNANCE

Supplied to military, government and law enforcement by Force Ordnance, a division of Lightforce Group.
11 Manton Street, Hindmarsh, South Australia.
Telephone 08 8440 0888. Email info@forceordnance.com
forceordnance.com

NIGHTFORCE MIL-SPEC 7-35X56 F1 360 ZEROSTOP



Colors Available



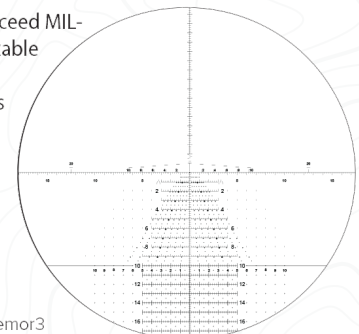
Specifications

Focal Plane	First
Objective Outer diameter	65 mm
Tube diameter	34 mm
Internal adjustment	e: 27 Mil; w: 16 Mil
Click value	.10 Mil
Parallax adjustment	10m - ∞
Exit pupil	7x: 6.0 mm; 35x: 1.4 mm
Eye relief	83 - 91 mm / 3.3 - 3.6 in
Field of view @ 100Y	7x: 15.0 ft; 35x: 3.4 ft
Eyepiece outer diameter	44 mm
Overall length	16.0 in/410 cm
Weight	39.3 oz
Mounting length	6.5 in/165 mm
PTL	Standard
Reticle	Tremor3
Illumination	Digillum™ (optional)

As professional shooters continue to push the limits of rifle and cartridge performance, Nightforce® continues to exceed their needs for enhanced riflescope technology with the MIL-SPEC 7-35 x 56 F1.

The broad magnification range and ED glass combine to create the ultimate in optical performance for long range shooting. This riflescope offers an incredible field of view across the entire magnification range, making targets easy to find, identify and engage.

All Nightforce Mil-Spec riflescopes meet or exceed MIL-STD 810G and carry a 10 year warranty. Indexable Tenabraex flip-up lens caps are included (not shown). Custom reticle/configuration options are available for contract purchases.



Tremor3

NIGHTFORCE®

MIL - SPEC SCOPES & ACCESSORIES

NIGHTFORCE MIL-SPEC ULTRAMOUNT



1.93" 30mm UltraMount shown with
NX8 1-8x24 F1 (C599) with capped E/W



MultiMount Ring Cap
(includes 1913 rail section)

Optional Dark
Earth anodized
finish shown

RAP-i Laser Rangefinder Mount
(attached to MultiMount Ring Cap)

The Nightforce UltraMount is CNC machined from 7075-T6 aluminum alloy and optimized specifically for operational use. Available in two height options, the UltraMount features Titanium beta series crossbolts and jaws, slotted 1/2" hex nuts to facilitate field expedient removal/installation, and stainless steel ring cap screws for corrosion resistance. The UltraMount is designed to engage all four 45 degree surfaces of the M1913 rail and features two integral machined recoil lugs. The UltraMount is our lightweight robust mounting solution that has been proven to be repeatable and reliable.

Laser engraved torque specifications and tightening sequence help ensure proper values are applied and prevent over-tightening while enhancing repeatability.

MultiMount ring caps can replace either of the ring caps to increase capability and provide the required real estate to mount weapons mounted laser rangefinders, lasers, and red dot sighting systems.

- Mounting Length: 2.50"
- OAL: 5.50"
- Weight: 6 oz.
- Diameter: 30mm and 34mm
- Height: 1.54" and 1.93" (centerline)
- Bias: 0 MOA
- Color: Dark Earth & Black anodized
- 1.54" height optimized for all current VASWA devices

FORCE ORDNANCE

Supplied to military, government and law enforcement by
Force Ordnance, a division of Lightforce Group.
11 Manton Street, Hindmarsh, South Australia.
Telephone 08 8440 0888. Email info@forceordnance.com
forceordnance.com

NIGHTFORCE®

MIL - SPEC SCOPES & ACCESSORIES

NIGHTFORCE MIL-SPEC ULTRAMOUNT WITH RAPI LRF MOUNT

- RAP-i is compatible with current and anticipated VASWA devices
- RAP-i is user removable without unfastening forward ring cap
- Utilizes a rugged 6-screw configuration for additional support (with included Support Band for 4-screw rings)



The Nightforce UltraMount / RAP-i is CNC machined from 7075-T6 aluminum alloy and built as rugged and reliable as the optics they're designed for. The UltraMount features Titanium beta series crossbolts and jaws, slotted 1/2" hex nuts to facilitate field expedient removal, two integral machined recoil lugs, and a 6-screw configured forward MultiMount ring cap to accommodate the RAP-i Laser Range Finder Mount. The RAP-i is designed to allow operator removal from the UltraMount without requiring removal of the forward ring cap.



- Titanium beta series crossbolts and jaws
- CNC machined 7075-T6 aluminum alloy
- Hard coat anodized finish (Tan and Black available)
- Total Weight : 8.9oz.

FORCE ORDNANCE

Supplied to military, government and law enforcement by Force Ordnance, a division of Lightforce Group.
11 Manton Street, Hindmarsh, South Australia.
Telephone 08 8440 0888. Email info@forceordnance.com
forceordnance.com

NIGHTFORCE WEDGE PRISM



When shooting at extreme ranges, many shooters find their riflescope lacks the necessary elevation travel. The Nightforce Wedge Prism is offered in 2 variants, 50 MOA or 100 MOA, that install forward of the riflescope to increase the effective elevation travel. The Wedge Prism optically shifts the incoming image to the riflescope by a precise elevation value, which directly adds to the available elevation travel within the riflescope.



Key Features:

- 50 MOA/14.5 MRAD or 100 MOA/29.1 MRAD elevation shift variants available for extreme long-range use
- Quick Detach MIL-STD 1913 attachment ensures consistent elevation shift when installed in the field
- Compatible with all brands of riflescopes
- Exact elevation shift measured for each unit and engraved for reference in the field

Includes: MOLLE padded carry case, flip cap lens cover, lens cleaning cloth.

Part #	Product Description	UPC #	Retail Price
A540	Wedge Prism 50MOA/14.5MRAD Additional Elevation	847362017914	\$990
A541	Wedge Prism 100MOA/29MRAD Additional Elevation	847362017921	\$990

Specifications:

Optical Shift	50 MOA / 14.5 MRAD* 100 MOA / 29.1 MRAD*
Length (excluding lever)	1.8 in / 46 mm
Width	2.7 in / 69 mm
Height	3.3 in / 38 mm
Glass Centerline	1.5 in / 38 mm
Weight	9.2 oz / 262 g (100 MOA) 9.5 oz / 268 g (50 MOA)
Mounting System	MIL-STD 1913 (1.5in / 3 slots)

* The listed optical shift is a nominal value. The actual shift varies slightly and is measured and engraved on each unit.

NIGHTFORCE®

MIL - SPEC SCOPES & ACCESSORIES

NIGHTFORCE TORQUE TOOL FIELD KIT



The Nightforce Torque Tool Field Kit is a compact individual tool set designed to address all field requirements for maintaining and adjusting all components of your optical system. Measuring approximately 4"x5" when stowed, the Torque Tool Field kit provides everything need to torque ring caps and mounts to proper specification, as well as reset turret dial upon zeroing.

The Torque Tool Field Kit includes:

- Compact 1/4" drive ratchet handle w/1/2" socket
- 25 in-lbs torque limiter
- 68 or 100 in-lbs torque limiter (model dependent)
- Nightforce Tri-Tool (T6, 1/16", 5/64")
- Three slot nylon field pouch



FORCE ORDNANCE

Supplied to military, government and law enforcement by Force Ordnance, a division of Lightforce Group.
11 Manton Street, Hindmarsh, South Australia.
Telephone 08 8440 0888. Email info@forceordnance.com
forceordnance.com

NIGHTFORCE®

MIL - SPEC SCOPES & ACCESSORIES



CONTACT DETAILS

Paul Mason
Business Development Manager
Telephone +61 (0) 8 8440 0888
paul.mason@forceordnance.com
11 Manton St, Hindmarsh, South Australia



LIGHTFORCEGROUP.COM.AU

FORCE ORDNANCE

Supplied to military, government and law enforcement by Force Ordnance, a division of Lightforce Group.
11 Manton Street, Hindmarsh, South Australia.
Telephone 08 8440 0888. Email info@forceordnance.com
forceordnance.com